

# SHARP

# AQUOS BOARD™

MAKING A MARK WITH TOUCH-SCREEN EASE



# Think BIG

*communicate collaborate disseminate*



PNL802B 80" Class (80" diagonal)

PNL702BC 70" Class (69-1/2" diagonal)

PNL602B 60" Class (60" diagonal)

SHARP AQUOS BOARD™ INTERACTIVE DISPLAY SYSTEMS

Breakthrough performance, versatility and value.



- Spectacular 80" class (80" diagonal), 70" class (69-1/2" diagonal) and 60" class (60" diagonal) screen sizes
- Brilliant high-definition LCD panel with energy-efficient design
- Display, annotate, store and share information
- Easy multi-touch operation with pen or finger
- Exclusive, user-intuitive Sharp Pen Software™
- High-performance optical imaging (PNL802B) and infrared detection (PNL702BC/L602B) systems for quick response
- Direct Sharp MFP connectivity to import/export data
- Built-in templates: calendar, to-do list and more

**BIG SCREEN. BIG IMPACT. BIG ADVANTAGES** over conventional display solutions.

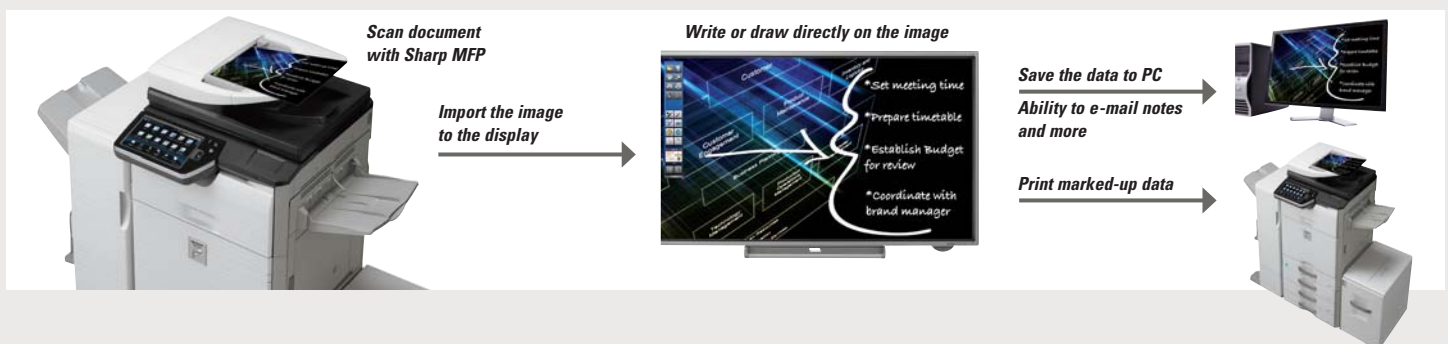
These spectacular Sharp 80" Class (80" diagonal), 70" class (69-1/2" diagonal) and 60" class (60" diagonal) LED interactive display systems give you convincing reasons to think BIG — with brilliant colour images for greater communications power. Superior collaborative ease with touch-screen convenience. For versatility and performance in business meetings, teleconferences, presentations, training/classroom instruction and high-impact signage, there's never been a better time to think BIG — and think Sharp AQUOS BOARD™.

**Convey your message with greater impact.** Size matters — and in today's competitive world, a big-screen Sharp AQUOS BOARD™ interactive display system can make a big difference in getting your message across. With 80" class (80" diagonal), 70" class (69-1/2" diagonal) and 60" class (60" diagonal) screens to choose from, Sharp AQUOS BOARD™ gives you spectacular HD clarity to help make your presentations come to life. Sharp's UV<sup>2</sup>A photo-alignment technology create brilliant colour images, and with backlit design you'll benefit from energy efficiency, enhanced brightness and greater legibility of text.

**Give your presentation just the right touch.** For performance, simplicity and control convenience, nothing beats a Sharp AQUOS BOARD™. Multiple infrared sensors in the PNL702BC/L602B accurately detect touch points, with the PNL802B utilizing optical imaging to ensure accuracy and precision on its large 80" diagonal class screen. And you can create work plans, highlight key topics, annotate files and more; share marked-up documents or print hard copies for future reference.

**Control every presentation like a pro.** Our intuitive Sharp Pen Software application provides a whole new dimension in interactive control. Using the tip of your finger or touch pen, you can open and close documents, enlarge or shrink images, even make hard-copy printouts. A user-friendly tool bar lets you select a variety of drawing options with a simple tap of an icon. With two fingers, the dual-touch interface lets you easily enlarge, reduce or rotate an image. And Sharp Pen Software is fully compatible with Windows® 7 and can easily import Microsoft® Office® documents, including PowerPoint® presentations.

Streamlined communications via direct Sharp MFP connection: scan, import, save and print



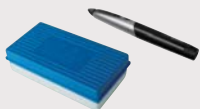
The power of results — it's in your hands.



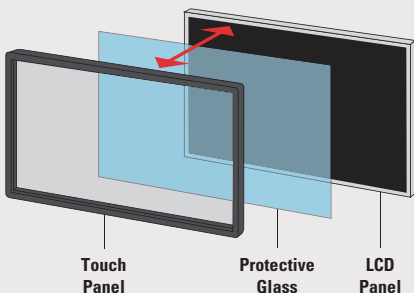
Cross-industry capable, Sharp AQUOS BOARD™ enables a professional, personal touch for business meetings, training sessions and more.



- Use the top menu buttons to open files and import documents to your presentations.
- Sharp Pen Software works like magic to put your best thoughts on display. Switch colours at the touch of a button for emphasis or colour-coding.
- The Smart Eraser function automatically switches from draw to erase mode, when an eraser is placed on the screen.
- Undo and Redo commands make changes quick and simple.
- Save, Print and Print All commands let you save files or make hard copy printouts.
- Pan and Zoom adjust your view or resize your image—it's easy!



Integrated touch panel for smooth and accurate writing.



**Direct interface with your Sharp MFP.** Interactive presentations don't have to be difficult — and with your Sharp AQUOS BOARD™ connected to a Sharp Multi-functional Peripheral (MFP), you'll have the ability to scan documents directly to your Sharp Pen Software using the Sharp Network Scanning Tool. After making revisions, adding notes or annotating text and images, you'll be able to save your updated presentation to a PC or send it directly back to your MFP for printout.

**Take advantage of built-in backgrounds.** The Sharp Pen Software application even gives you a built-in library of backgrounds to use during presentations: calendar, to-do list, meeting log, graph paper and action plan. They help make presentations more effective because you don't have to create forms or data templates by hand. Now, simply focus on the ideas and actions you want to convey.



Write or draw directly on the image with Sharp AQUOS BOARD™ interactive display systems.

**A clear winner in digital signage.** The Sharp AQUOS BOARD™ provides bright, crisp, high-contrast colour images that come alive in public areas like trade exhibit halls, hotel lobbies and conference areas, airport corridors and retail locations. They have been engineered for 24/7 certified commercial use, providing you with the reliability and durability needed for your business.

**A better way to make a big impression.** From boardroom to conference room, training session to selling floor, a Sharp AQUOS BOARD™ interactive display system can magnify your success. Motivate your audience. Improve your image. And give your message the impact it deserves. With Sharp AQUOS BOARD™ on your presentation team, the possibilities are endless — and every moment is right for a magnificent performance.

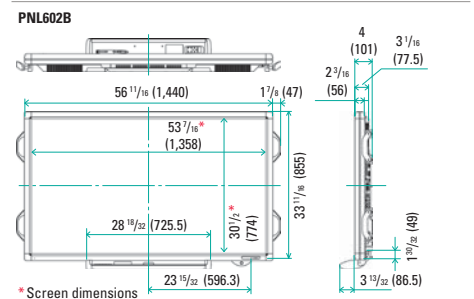
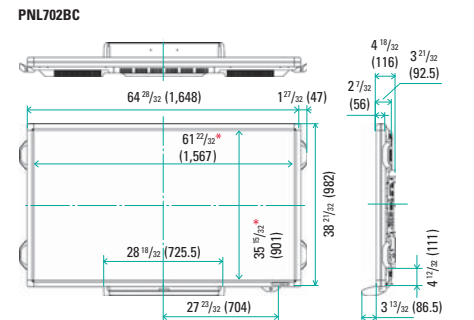
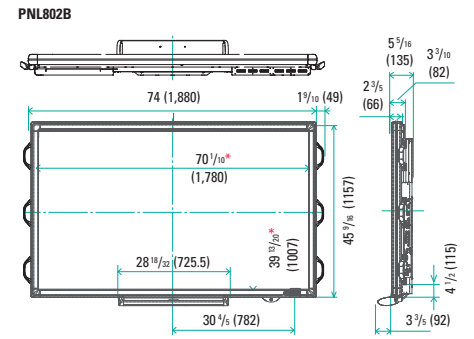


# Product Specifications

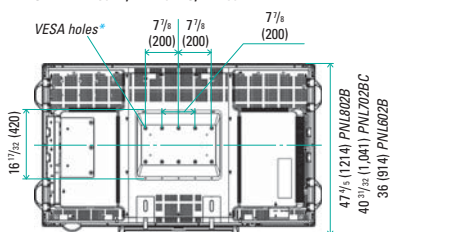
Model Number	PNL802B	PNL702B	PNL602B
Type	Professional touch-screen monitor		
Usage	<p><b>Digital whiteboard</b> Multi-purpose business tool with included Sharp Pen Software™<sup>1</sup></p> <p><b>Data display</b> Ideal for presentations, command &amp; control, and data viewing<sup>1,2</sup></p> <p><b>Remote collaboration tool</b> Ability to conduct webinars, video conferences and more<sup>1,2</sup></p> <p><b>Interactive signage monitor</b> Utilize for wayfinding and other interactive applications<sup>1,2</sup></p>		
LCD component	80" Wide-Screen class [80 inch (203.2 cm) diagonal] UV²A LCD	70" Wide-Screen class [69-1/2 inch (176.6 cm) diagonal] UV²A LCD	60" Wide-Screen class [60 inch (152.5 cm) diagonal] UV²A LCD
Backlight	White LED Full-Array	White LED Full-Array	White LED Edge-Lit
Max. resolution (pixels)	1920 x 1080		
Max. colours (approx.)	1.06 billion colours		
Pixel pitch	0.923 mm (H) x 0.923 mm (V)	0.802 mm (H) x 0.802 mm (V)	0.692 mm (H) x 0.692 mm (V)
Max. Brightness (average)	300 cd/m²	300 cd/m²	380 cd/m²
Contrast Ratio	3000:1		
Viewing angle (H/V)	160°/160° (CR≥10)		
Screen active area (approx.)	69-3/4" x 39-1/4" (1771.2 mm x 996.3 mm)	60-9/16" x 34-1/16" (1538.9 mm x 865.6 mm)	52-5/16" x 29-7/16" (1,329.1 mm x 747.6 mm)
Installation	Landscape orientation		
Computer input signal	Digital (DVI 1.0 standard-compliant), Analog RGB (0.7 Vp-p) [75 Ω]		
Sync signal	Horizontal/Vertical separate (TTL: positive/negative), Sync-on-green, Composite sync (TTL: positive/negative)		
Video colour system	NTSC (3.58MHz)/NTSC (4.43MHz)/PAL/SECAM		
Plug and Play	VESA DDC2B		
Power management	VESA DPMS, DVI DMPM		
Input terminals			
PC/AV Digital	HDMI® x 1		
PC Analog	Mini D-sub 15 pin, 3 rows x 1		
Audio	3.5 mm mini stereo jack x 1		
Serial (RS232C)	D-sub 9 pin x 1		
When optional PNZB01 is attached			
PC/AV Digital	DVI-D 24 pin (HDCP compatible) x 1		
PC Analog	BNC <sup>3,4</sup> x 1		
AV Composite video	BNC x 1		
S-Video	x 1		
Component	BNC (Y, Cb/Pb, Cr/Pr) <sup>3</sup> x 1		
Audio	RCA pin (L/R) x 2		
Output terminals			
Audio	RCA pin (L/R) x 1		
Serial (RS232C)	D-sub 9 pin x 1		
When optional PNZB01 is attached			
PC/AV Digital	DVI-D 24 pin x 1		
External Speaker	7 W + 7 W [6 Ω]		
LAN terminal	10 BASE-T/100 BASE-TX		
(when optional PNZB01 is attached)			
Speaker output	7 W + 7 W		
Touch Panel			
Detection method	Optical imaging method	Infrared blocking detection method	Infrared blocking detection method
Detection area (approx.)	69-3/4" x 39-1/4" (1771.2 mm x 996.3 mm)	60-9/16" x 34-1/16" (1538.9 mm x 865.6 mm)	52-5/16" x 29-7/16" (1329.1 mm x 747.6 mm)
PC connector	USB (1.1 compliant)		
Driver	OS: Windows® XP (32-bit/64-bit ver.), Windows Vista® (32-bit/64-bit ver.), Windows® 7 (32-bit / 64-bit ver.)		
Power supply	Supplied from USB		
Touch pen	Ultrasonic communication method		
Power requirement	AC 100 V - 240 V, 50/60 Hz		
Operating temperature <sup>5,6</sup>	41°F to 95°F (5°C to 35°C)		
Operating humidity <sup>6</sup>	20% to 80% (no condensation)		
Power consumption (Maximum/input signal waiting mode <sup>7</sup> /standby mode <sup>7,9</sup> )	255 W/1.0 W/0.5 W	235 W/1.0 W/0.5 W	165 W/1.0 W/0.5 W
Power consumption (when optional PNZB01 is attached)	260 W	240 W	170 W
Dimensions (excluding protrusions)	74" (W) x 5-5/16" (D) x 45-9/16" (H)	64-7/8" (W) x 4-9/16" (D) x 38-11/16" (H)	56-22/32" (W) x 3-31/32" (D) x 33-21/32" (H)
inch (mm) (approx.)	(1,880 mm x 135 mm x 1157 mm)	(1,648 mm x 116 mm x 982 mm)	(1,440 mm x 101 mm x 855 mm)
Weight (approx.)	225 lbs. (102 kg)	154.3 lbs. (70 kg)	119 lbs (54 kg)
Weight (optional PNZB01) (approx.)		1.1 lbs. (0.5 kg)	
UPC	074000069312	074000069206	074000069213
Main Accessories	Touch Pen, touch pen battery (AAA size), pen tips (for touch pen) x 2, eraser, pen-tray, power cord, remote control unit, batteries (AA size x 2), CD-ROM, set-up manual, terminal label, Sharp logo cover sticker, USB cable, tray mounting fittings x 2, tray mounting screws x 6.		
	cable clamp x 3	cable clamp x 2	cable clamp x 3

<sup>1</sup> Optional PC required. Additional 3<sup>rd</sup> party accessories and/or software may also be required. <sup>2</sup> Cannot be used simultaneously. <sup>3</sup> The analog and component BNC terminals are switchable. Use the menu to select. <sup>4</sup> Does not support plug and play. <sup>5</sup> Temperature condition may change when using the display together with the optional equipments recommended by Sharp. In such cases, please check the temperature condition specified by the optional equipments. <sup>6</sup> In addition, check the requirements of the computer and other devices to be connected, and make sure that all requirements are satisfied. <sup>7</sup> When AUTO INPUT CHANGE is set to OFF. <sup>8</sup> When STANDBY MODE is set to STANDARD. When STANDBY MODE is set to LOW POWER: 0.5 W.

## Dimensions (approx.): inch (mm)

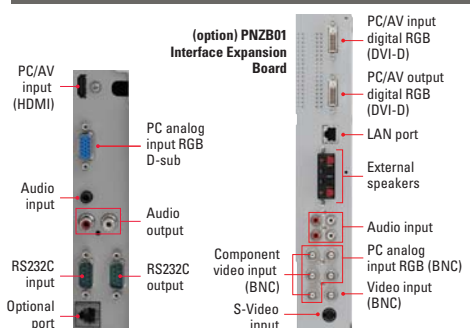


## VESA — PNL802B, PNL702B, PNL602B



\* To use the VESA-standard mounting bracket, use M6 screws that are 8 to 10 mm plus the thickness of the bracket.

## Input/Output Terminals (standard)



Design and specifications subject to change without notice. Sharp, Sharp Pen Software and related trademarks are trademarks or registered trademarks of Sharp Corporation and/or its affiliated entities. Microsoft, Windows, Windows Vista and PowerPoint are trademarks or registered trademarks of Microsoft in the United States and/or other countries. HDMI is a registered trademark of HDMI Licensing LLC. All other trademarks are the property of their respective owners. All screen images in this brochure are simulated.

FOR PRODUCT INFORMATION CONTACT:

**KEVIN SAINDON**  
Technology Solutions Specialist  
direct 905.513.3609  
toll free 1.888.822.3111  
kevin.saindon@brigholme.com

**Brigholme**  
interiors group